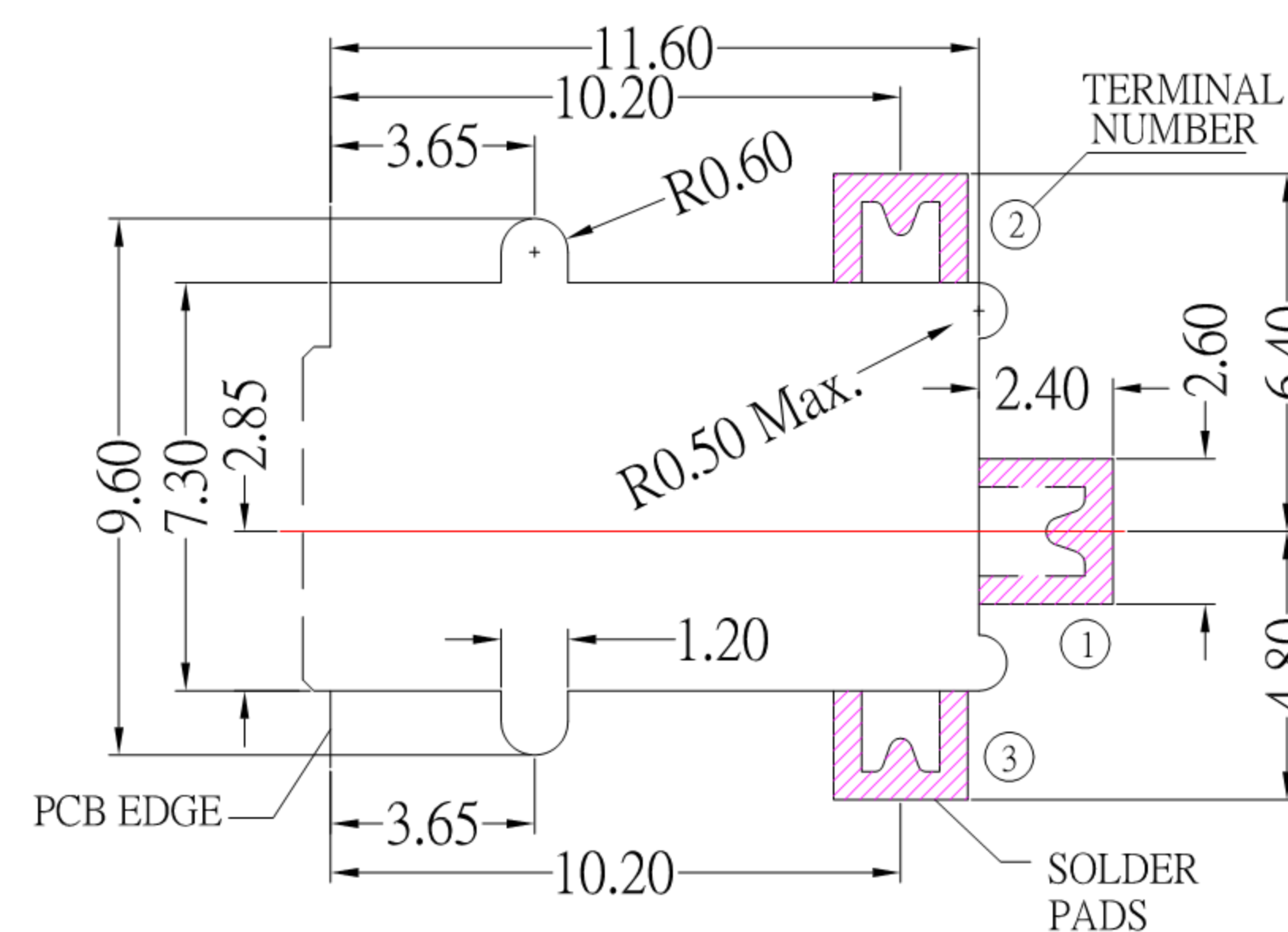
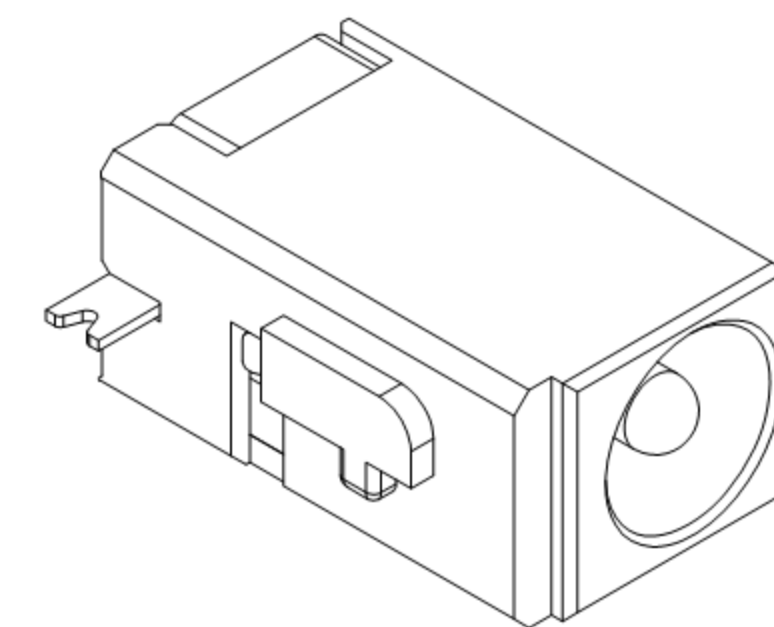
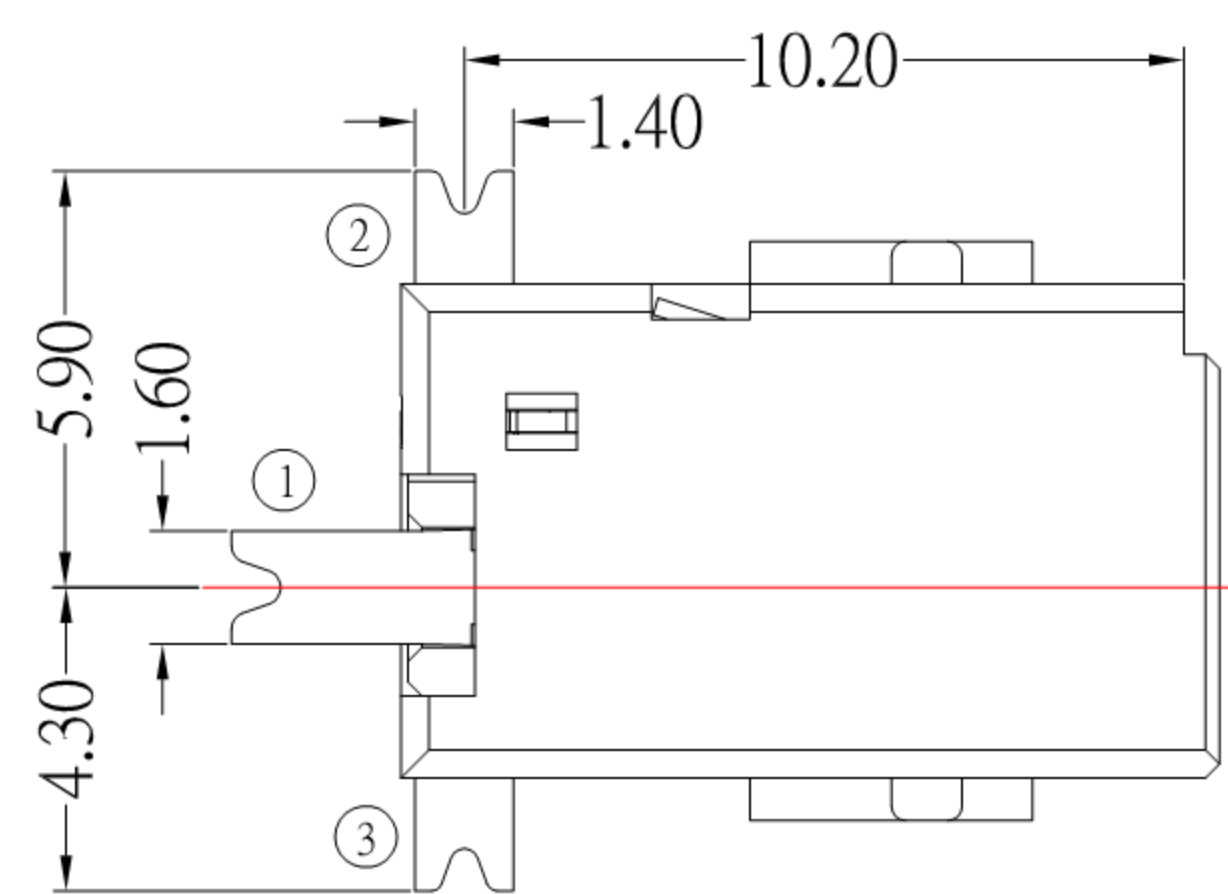


MODEL NO.	DC-095DH
SCHEMATIC	
CENTER PIN	Ø1.65mm

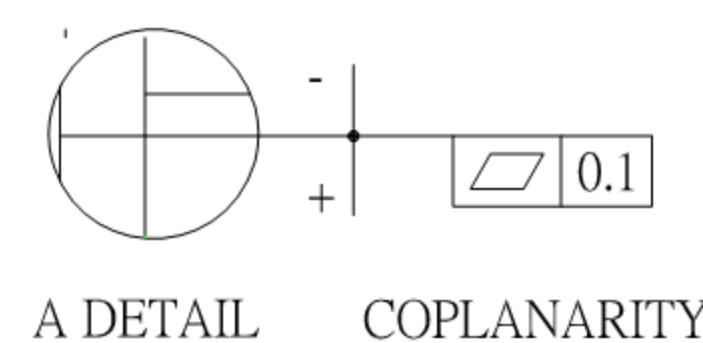
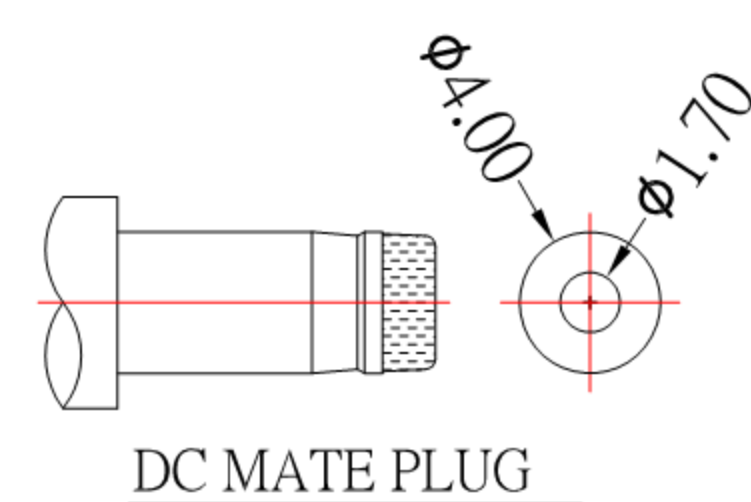


*** MATERIAL**

- TERMINAL 1 :BRASS
- TERMINAL 2 :PHOSPHOR BRONZE
- TERMINAL 3 :BRASS
- HOUSING :PA6T
- CENTER PIN :BRASS

SPECIFICATION

- 1.Rating : DC 16V 5.0A
- 2.Contact resistance : ≤ 50mΩ
- 3.Insulation resistance : ≥ 100MΩ
- 4.Withstand voltage : 500VAC
- 5.Insertion and extraction force : 3-30N
- 6.life test : 5,000 cycles



P.C.B LAYOUT MOUNTING PATTERN (TOP VIEW)



TOLERANCE UNLESS OTHERWISE STATED :

Up to 5	±0.2
Above 5 ~ 15	±0.3
Above 15 ~ 30	±0.4
Above 30 ~ 50	±0.5
Angle	±0.3°

3RD. ANGEL'S



DRAWN BY:	DATE	MAT'L	TITLE	JACK
Jack Lu	08/12/14			
CHECKED BY:	DATE	FINISH	MODLE	DC JACK
Jacky Chen	08/12/14			
APPROVED BY:	DATE	SCALE	DWG NO.	DC-095DH-1.65
Tony Kao	08/12/14	1 : 1	PART NO.	DC-095DH-1.65
SHEET NO.			1 of 1	SIZE A4
				VER R2

2	新增SPEC	Jack	081214
1	更新材質	Jack	040914
ITEM NO.	DESCRIPTION	DRAWN	DATE